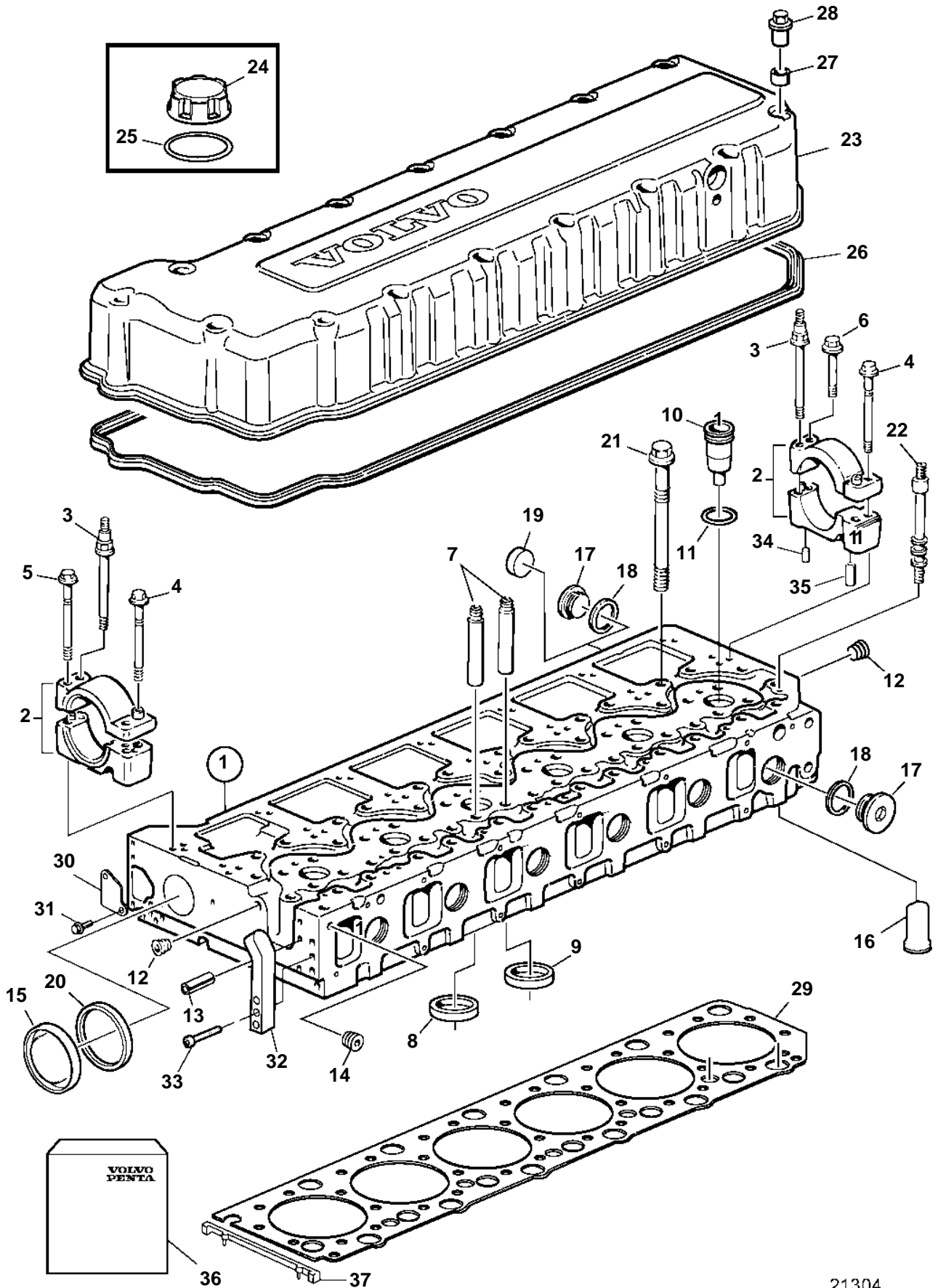


D12C-A MP



21304

Upd: 2009-12-16

21304

7740680 - 21 - 4251

D12C-A MP

REF	PART NO.	QTY	DESCRIPTION	NOTES
1	3839414	1	Cylinder head	E.U=3803665
	3803665	1	Cylinder head, exch, exch	E.U=3803665
2	3165130	1	· Bearing housing, front	Included in overhaul kit 3165309.
	3165133	5	· Bearing housing, middle	Included in overhaul kit 3165309.
	3165136	1	· Bearing housing, rear	Included in overhaul kit 3165309.
3	8170626	7	· Stud	
4	1547889	14	· Screw	L=127mm
5	1547888	1	· Screw	L=106mm
6	1677283	6	· Screw	L=70mm
7	1546437	24	· Valve guide	
8	3183227	12	· Valve seat, inlet	Std
	3183228	12	· Valve seat	O.S=0,20mm
9	3165369	12	· Valve seat, outlet	Std
	3165397	12	· Valve seat	O.S=0,20mm
10	85104134	6	· Copper sleeve kit	(85104134)
11	20536487	1	· · O-ring	
12	968062	2	· Plug	
13	422426	1	· Pin	
14	968060	1	· Plug	
15	8170553	1	· Cap plug	
16	3155057	6	· Jet	EARLY TYPE
17	3165025	12	· Plug	EARLY TYPE
	3165025	1	· Plug	LATE TYPE
18	949659	12	· O-ring	EARLY TYPE
	949659	1	· O-ring	LATE TYPE
19	8131707	11	· Cap plug	LATE TYPE
20	1544710	1	· Sealing ring	
21	21345131	38	Screw	
22		9	Stud	
23	20545669	1	Valve cover	(8170115)
24	20807510	1	Oil filler cap	Earlier prod.
25	1675841	1	· Gasket	Earlier prod.
26	21123014	1	Sealing strip	
27	3964604	16	Bushing	
28	8148488	16	Cap nut	
29	3099100	1	Cylinder head gasket	(3093503)
30	3828003	1	Cardboard tube	
31	946440	2	Flange screw	
32		1	Lifting eye	
33	959265	3	Hex. socket screw	
34	950562	14	Pin	Included in overhaul kit 3165309.
35	1546484	7	Sleeve	Included in overhaul kit 3165309.
36	3830718	1	Gasket kit	SEE GROUP 99
37	20489341	1	Sealing strip	(8170473)